



T74001 & T74002 SERIES

1-6W, E16, Single Output, Flyback Transformer (Ferrite Core)

FEATURES

- Primary / Secondary Insulation $\geq 4000V$
- Primary Auxiliary Insulation $\geq 1500V$
- Creepage distances Primary / secondary $\geq 6mm$

OPTIONS

- Bulk packaging is standard
- Custom design available

APPLICATIONS

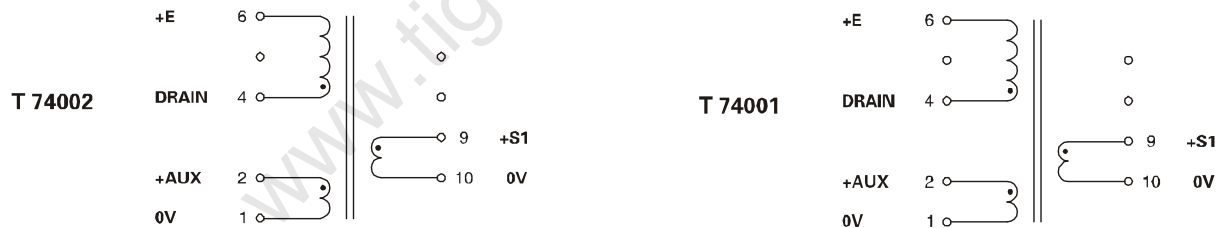
- AC-DC converters
- DC-DC converters
- Switch Power supplies
- SMPS: Flyback, Forward and Push-pull
- SMPS: Half Bridge and Full Bridge

Control IC Manufacturer	Control IC P/N	Input voltage	Power	Frequency
Power Integrations	TOP242P	85 - 265 Vrms	6W	132 kHz
ST Microelectronics	VIPer20	85 - 265 Vrms	6W	70 kHz
ST Microelectronics	VIPer20	85 - 265 Vrms	3W	40 kHz

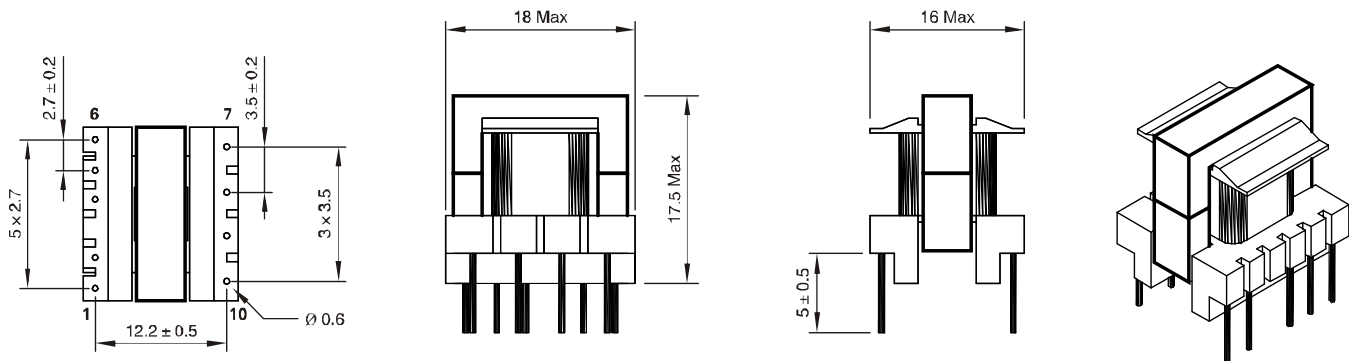
SIZE E16 - SINGLE OUTPUT : 5 or 12V - FLYBACK TRANSFORMER

Part Number	Output Power max	Windings					Inductance ($\pm 10\%$)
			Pins	Turns	Voltage	Current max	
T74001	6W	Pri	4-6	138	60 - 120 (VOR)	0.35 Apeak	3000 μ H
		Aux	2-1	16	8 - 16 Vdc	0.1 Adc	
		S1	9-10	8	3 - 6 Vdc	1.2 Adc	
T74002	6W	Pri	4-6	150	60 - 120 (VOR)	0.38 Apeak	3000 μ H
		Aux	2-1	22	8.5 - 17 Vdc	0.1 Adc	
		S1	9-10	24	9 - 18 Vdc	0.5 Adc	

- Ambient temperature $< 60^{\circ}C$
- Construction conforms to CEI950, CEI335, CEI61558 for reinforced insulation
- Exclusively uses UL94V-0 listed materials



Note: PIN 3 Removed, PCB Drilling Diameter = 1.1mm



All dimensions in mm