



# AT SERIES

## Economy Audio Dry (NO-DC) Coupling Transformer

### FEATURES

- Metric size
- Low cost
- Dielectric strength-1000VAC (PRI-SEC-CORE)
- Resistances  $\pm 20\%$
- All impedances  $\pm 10\%$  (at 1 kHz)

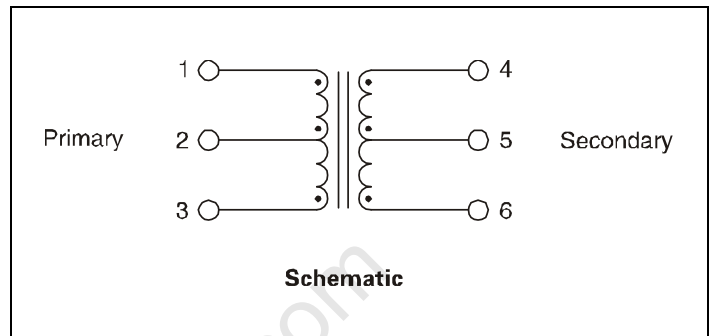
### OPTIONS

- Bulk packaging is standard
- Custom design available

### APPLICATIONS

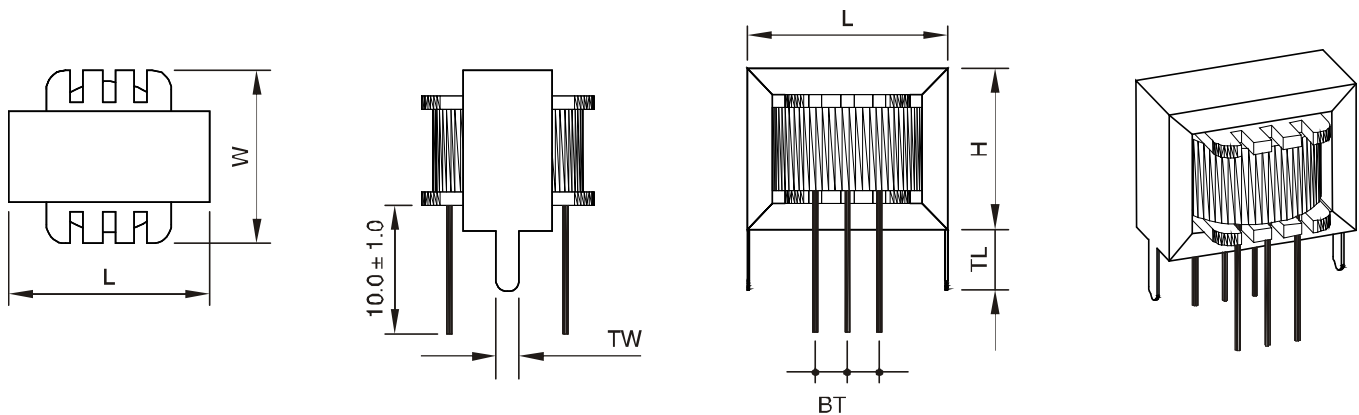
- Telephony
- Audio coupling / isolating
- Alarm system

Part No.	Size	Description	Impedance(Ohm)		DC Resistance	
			Pri.	Sec.	Pri.	Sec.
AT-201	1	Output	500 C.T.	8 C.T.	35	0.8
AT-130	1	Coupling	600 C.T.	600 C.T.	45	40
AT-202	1	Output	1K C.T.	8 C.T.	60	0.8
AT-203	1	Coupling	10K C.T.	600 C.T.	450	100
AT-204	1	Driver	10K C.T.	2K C.T.	500	200
AT-301	2	Output	500 C.T.	8 C.T.	22	0.8
AT-302	2	Interstage	500 C.T.	500 C.T.	30	28
AT-303	2	Output	1.2K C.T.	8 C.T.	80	0.8
AT-304	2	Output	48 C.T.	8 C.T.	2.5	0.5
AT-305	2	Output	200 C.T.	8 C.T.	12	0.8
AT-400	3	Output	200 C.T.	8 C.T.	12	0.8
AT-401		Output	500 C.I1	8 C.T.	26	0.8
AT-129	3	Coupling	600 C.T.	600 C.T.	65	55
AT-402	3	Output	800 C.T.	8 C.T.	40	0.8
AT-403	3	Output	1.2K C.T.	8 C.T.	80	0.8
AT-404	3	Interstage	1.5K C.T.	500 C.T.	120	50
AT-405	3	Coupling	10K C.T.	600 C.T.	600	100
AT-406	3	Driver	10K C.T.	2K C.T.	600	155
AT-500	4	Output	48 C.T.	8 C.T.	2.5	0.5
AT-501	4	Output	120 C.T.	8 C.T.	7	0.7
AT-502	4	Output	200 C.T.	8 C.T.	12	0.5
AT-503	4	Output	500 C.T.	8 C.T.	18	0.7
AT-504	4	Interstage	500 C.T.	500 C.T.	35	28
AT-505	4	Driver	10K C.T.	2K C.T.	600	155
AT-506	4	Output	1.2K C.T.	8 C.T.	75	0.8
AT-507	4	Coupling	600 C.T.	600 C.T.	65	55



Part No.	size 1	size 2	size 3	size 4
	EI-14	EI-16	EI-19	EI-24
L	15.2	17.7	20.3	25.3
H	11.0	14.0	16.2	19.0
W	12.0	16.0	14.5	16.9
TW	2.0	2.2	2.2	2.6
TL	3.8	4.0	4.2	4.8
BT	2.5	2.8	3.0	4.5

- Size 1: EI-14 series 0.75watts max. / TCW leads 0.4mm  $\varnothing$ (0.0159)#26 AWG
- Size 2: EI-16 series 0.1watts max. / TCW leads 0.43mm  $\varnothing$ (0.0179)#25 AWG
- Size 3: EI-19 series 0.2watts max. / TCW leads 0.4mm  $\varnothing$ (0.0159)#25 AWG
- Size 4: EI-24 series 0.46watts max. / TCW leads 0.48mm  $\varnothing$ (0.02)#24 AWG



All Dimensions in mm